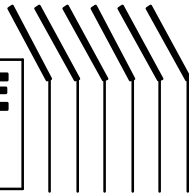


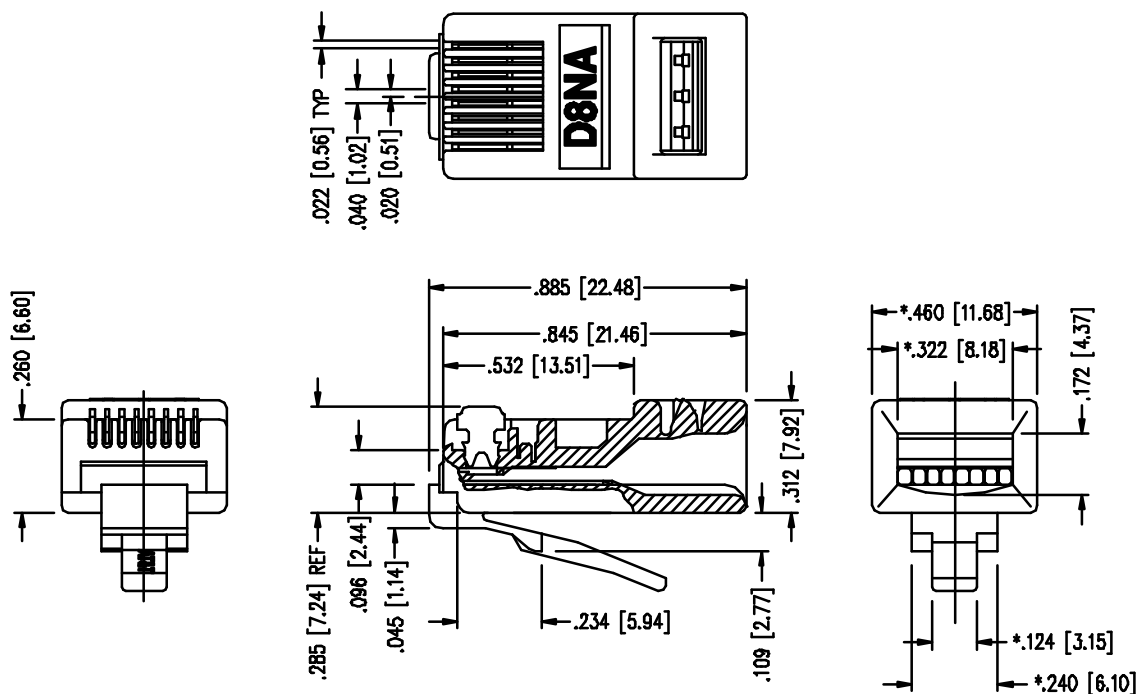
**FOR REFERENCE
ONLY**



**STEWART
CONNECTOR
SYSTEMS, INC.**

R.D. 2, BOX 2020 GLEN ROCK, PENNSYLVANIA 17327

PART NO.: MOD2-SP-3088-BR-R-A254
EIGHT CONDUCTOR/EIGHT POSITION LINE CORD MODULE;
CLEAR; FOR ROUND CABLE; FOR CONDUCTORS WITH
MAXIMUM OUTSIDE DIAMETER OF .038 [.965]
R- RADIAL BACK



**SPECIFICATIONS OF STEWART CONNECTOR'S
MODULAR PLUGS**

- CONTACT MATERIAL: _____ 8% PHOSPHOR BRONZE
- CONTACT PLATING: _____ 50 MICRO-INCH (1.27 MICRON)
SELECTIVE 24 CARAT HARD GOLD PLATE IN CONTACT AREA
OVER 100 MICRO-INCH (2.54 MICRON) MINIMUM NICKEL PLATE
PER CURRENT SELECTIVE GOLD PLATING REQUIREMENTS.
- PLUG MATERIAL: _____ POLYCARBONATE
- PLUG TOLERANCES _____ COMPLIES WITH F.C.C REQUIREMENTS
AND DIMENSIONS: _____ ALL OTHER DIM'S ±.005 (±0.127MM)
DIM'S WITH ** TO BE CENTRAL ABOUT CENTER LINE
- FLAME AUTO EXTINGUISH _____ 94-V0 (U.L. RECOGNIZED-FILE
LEVEL: _____ NO. E132408 (N))
- OPERATION TEMPERATURE: _____ -40°C TO +125°C
- INSERTION/EXTRACTION LIFE: _____ 1000 CYCLES (USING STEWART
CONNECTOR JACKS)
- CONTACT RESISTANCE: _____ 10 MILLOHMS MAX. (USING
STEWART CONNECTOR JACKS)
- CURRENT/VOLTAGE: _____ 30 VAC/42 VDC AT 1.5 AMPS